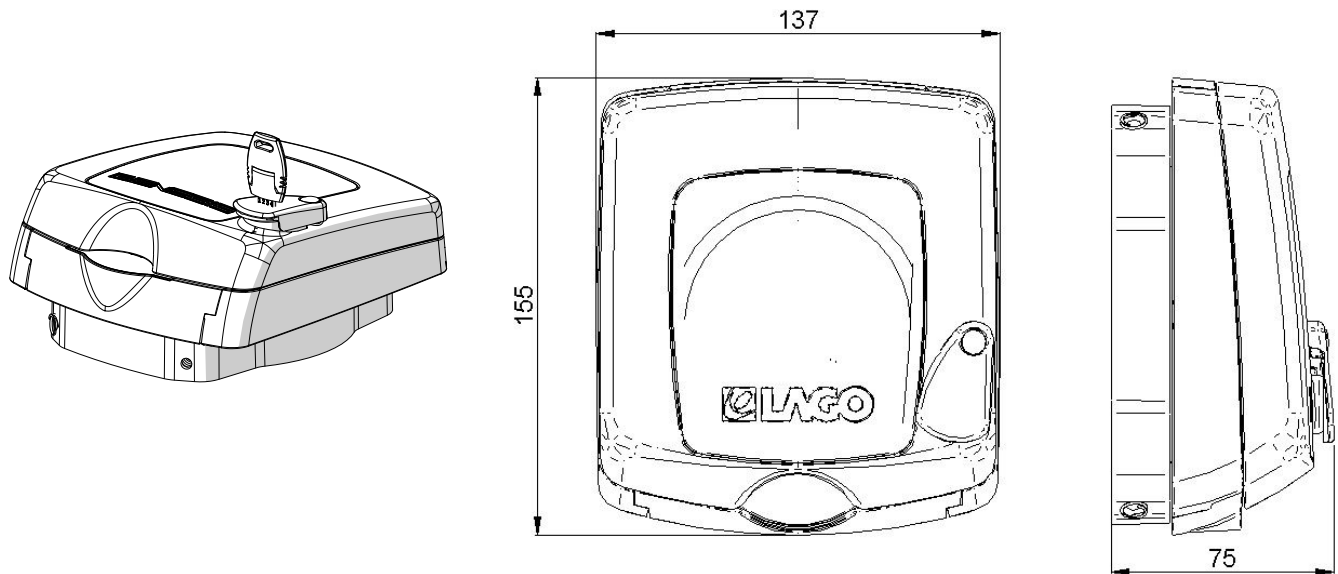


**ZIP LOCK SAFETY CAP UPGRADE KIT**

Upgrade kit for Kockon Mach II base modules. Consists of a self closing ventilated fuel cap with lock which can be fitted through a rapid mounting procedure by the end user without having to remove the Kockon from its installed position.

Fits all MACH II base module Kockons produced from 07/2015. Upgrade can be executed without proprietary tools by the end user.



CODE	DESCRIPTION
786010011	ZIP LOCK SAFETY CAP UPGRADE KIT

**TECHNICAL DATA**

**SPECIFICATIONS**

Main body material	POM Acetalic Resin
Gasket material	NBR Rubber
Weight	590 g

**PACKAGING**

Package type	Carton box
Package dimensions (cm)	150x160x90
Multipack	12 pcs in master carton box
Multipack dimensions (cm)	390x260x330 mm